

CARDOX[®] Low Pressure Carbon Dioxide



Wafer Valve (without Limit Switch)

Effective: October 2024
K-64-200 Rev AB

FEATURES

- FM Approved for LPCO2 Service
- Meets NFPA 12 Hydrostatic Pressure Requirement
- Supports Tank Isolation and Lock Out Applications

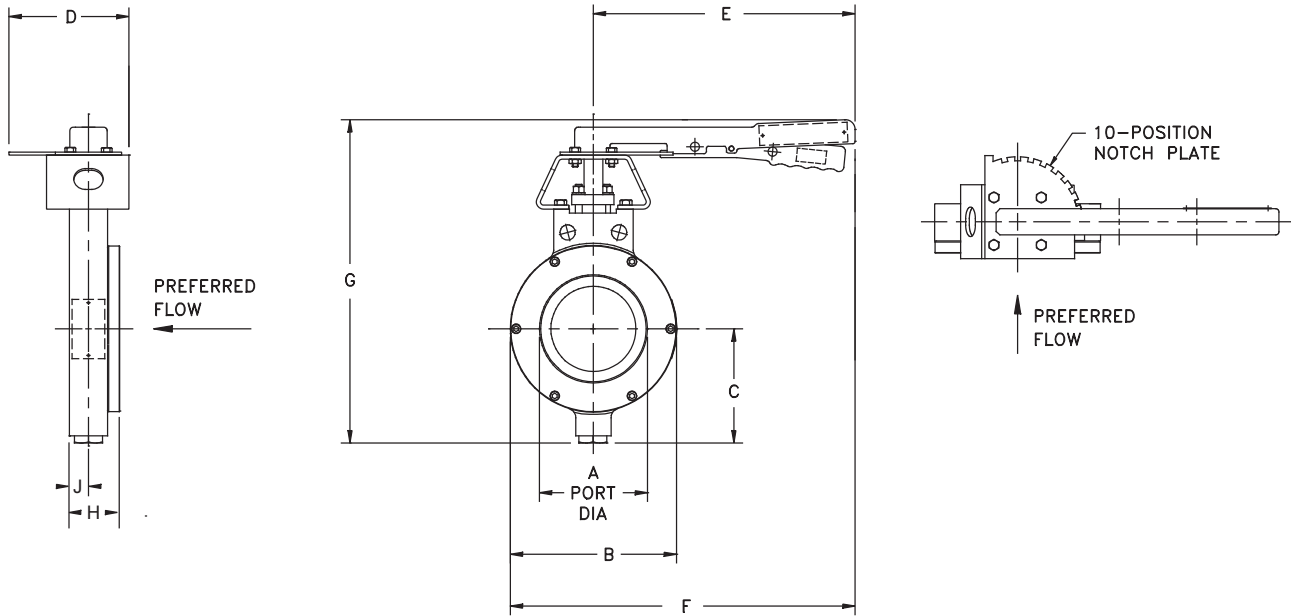


Figure 1. Wafer Valve (3" Valve Pictured)

Ordering Information

Stock Number	Valve Size	Material	Dimension (inches)									Assembly Weight (lbs)
			A	B	C	D	E	F	G	H	J	
70610904	3"	Carbon Steel	2.86	5.25	4.09	4.2	10.00	12.63	12.38	1.88	0.77	16
70610905	4"	Carbon Steel	3.72	6.72	4.71	4.2	10.00	13.36	13.84	2.03	0.75	17
70610906	6"	Carbon Steel	5.68	8.88	6.25	6.5	12.00	19.44	16.75	2.42	0.97	50
70610910	3"	Stainless Steel	2.86	5.25	4.09	4.2	10.00	12.63	12.38	1.88	0.77	16
70610911	4"	Stainless Steel	3.72	6.72	4.71	4.2	10.00	13.36	13.84	2.03	0.75	17
70610912	6"	Stainless Steel	5.68	8.88	6.25	6.48	15.00	19.44	16.59	2.42	0.97	50

See Note 1.

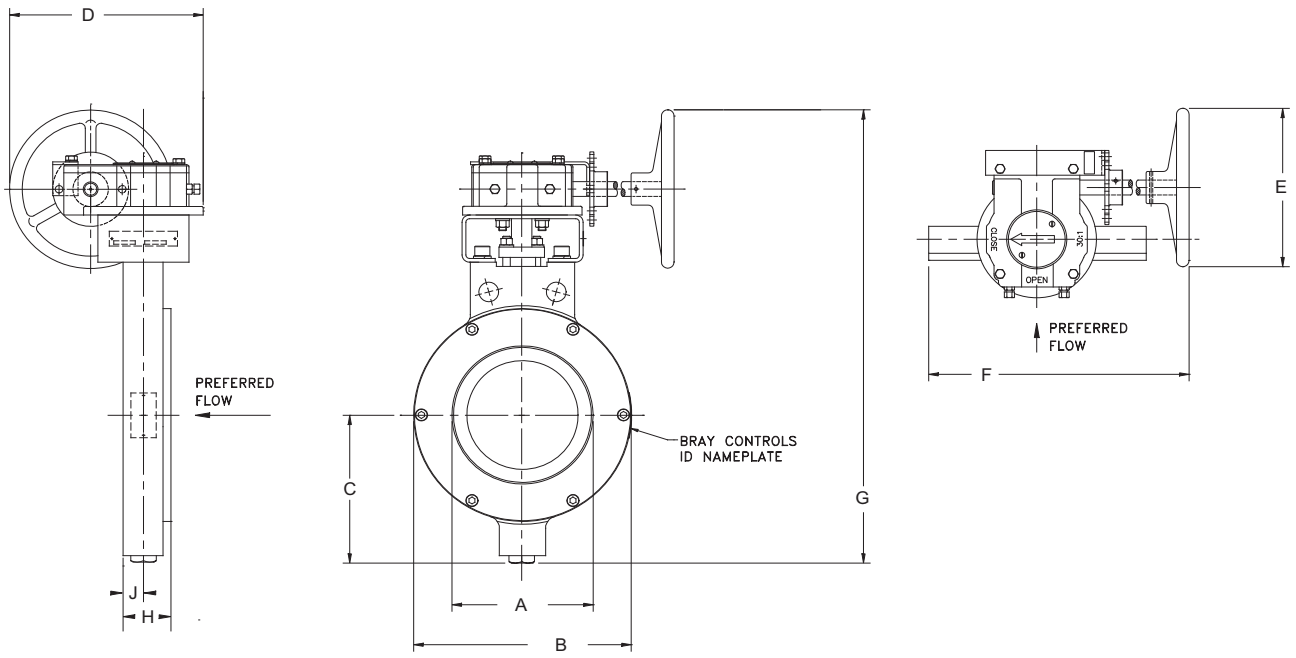


Figure 2. Wafer Valve (8" Valve Pictured)

Ordering Information

Stock Number	Valve Size	Material	Dimension (inches)									Assembly Weight (lbs)
			A	B	C	D	E	F	G	H	J	
70610925	8"	Carbon Steel	7.45	10.94	7.55	11.57	12.00	16.10	24.80	2.82	1.10	90
70610928	8"	Stainless Steel	7.45	10.94	7.55	11.57	12.00	16.10	24.80	2.82	1.10	90
See Note 1.												

Note 1:

Contact Technical Support for equivalent length data.

Reference Data Sheets:

- K-64-210 (fitted with NEMA 4, 4X LS)
- K-64-220 (fitted with explosion-proof LS)

Kidde Fire Systems, Kidde Fire Protection and Fenwal Controls branded products are created exclusively by Kidde-Fenwal, LLC, 400 Main St, Ashland, MA 01721, USA. All trademarks are the property of their respective owners.

This literature is provided for informational purposes only. Kidde-Fenwal, LLC believes this data to be accurate, but it is published and presented without any guarantee or warranty whatsoever. Kidde-Fenwal, LLC assumes no responsibility for the product's suitability for a particular application. The fire suppression system design, installation, maintenance, service and troubleshooting must be performed by trained, authorized Kidde Fire Systems distributors for the product to work correctly. If you need more information on this product, or if you have a particular problem or question, contact: Kidde-Fenwal, LLC, Ashland, MA 01721 USA, Telephone: (508) 881-2000.